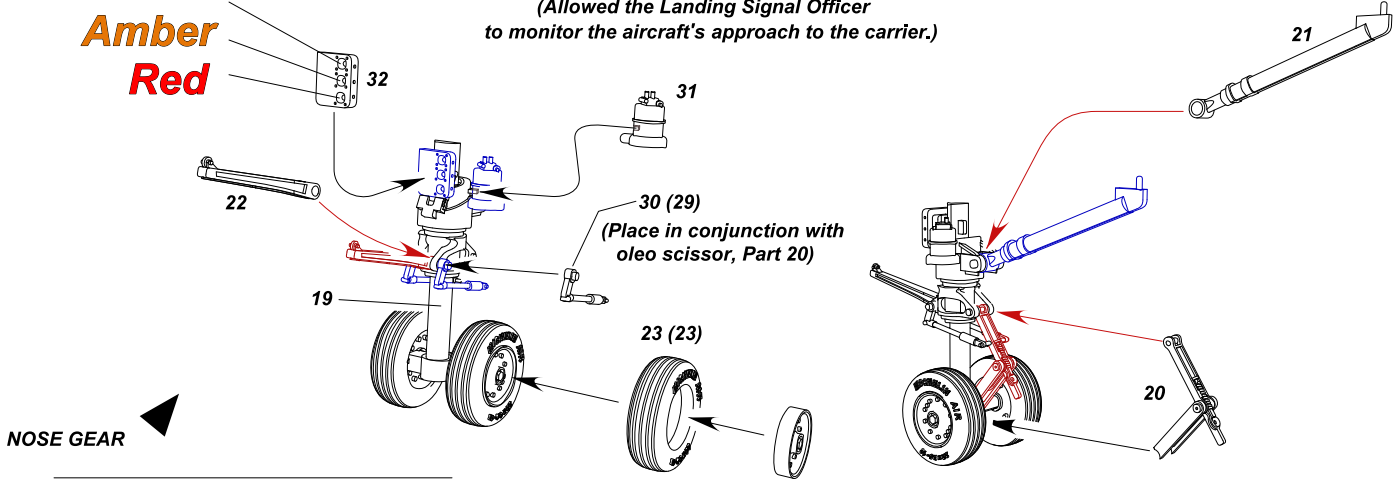


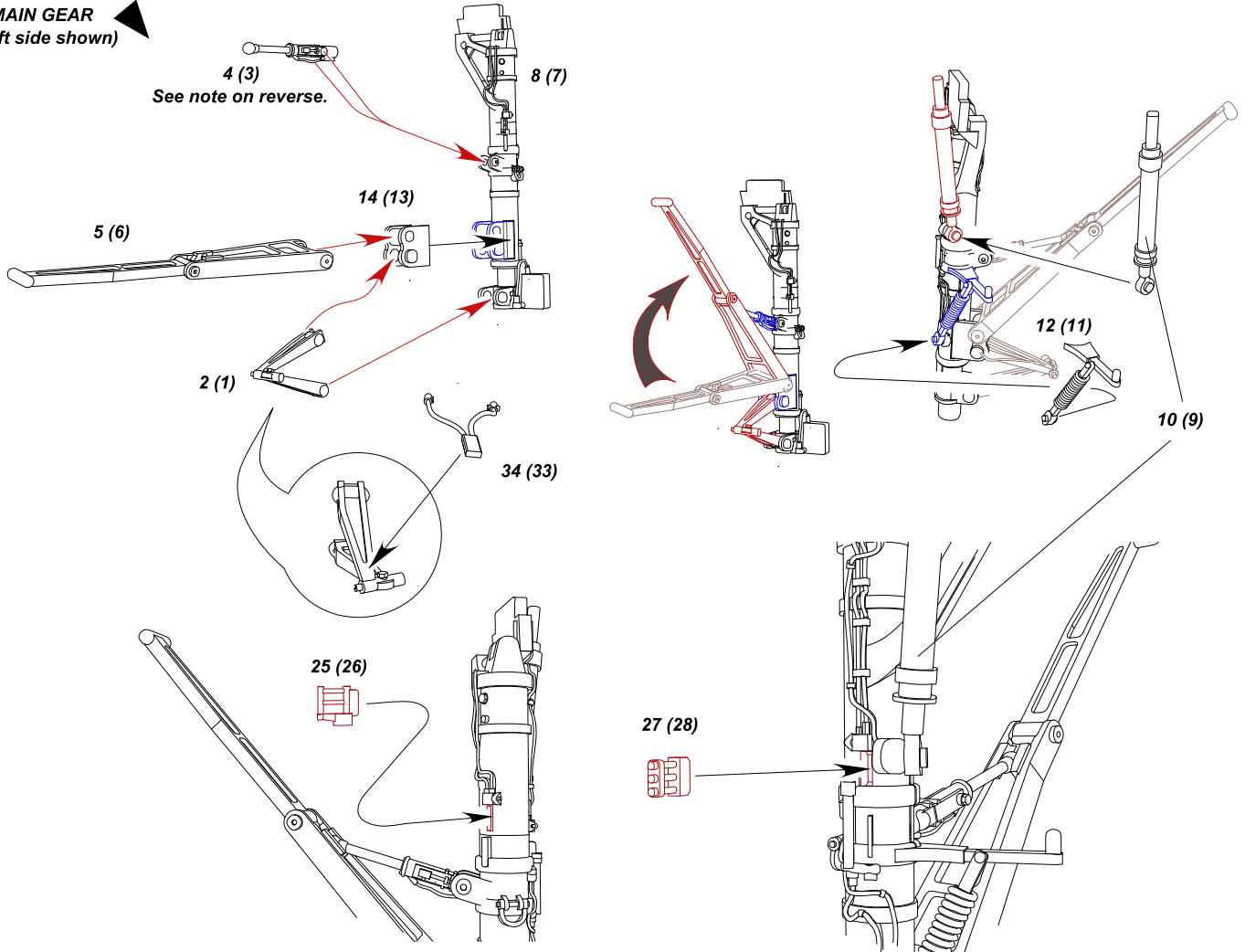
← **Glue in place (note locator helpers)**
← **Gently snap into place (Glue as required)**

Green
Amber
Red

32 Approach Indexer
(Allowed the Landing Signal Officer
to monitor the aircraft's approach to the carrier.)

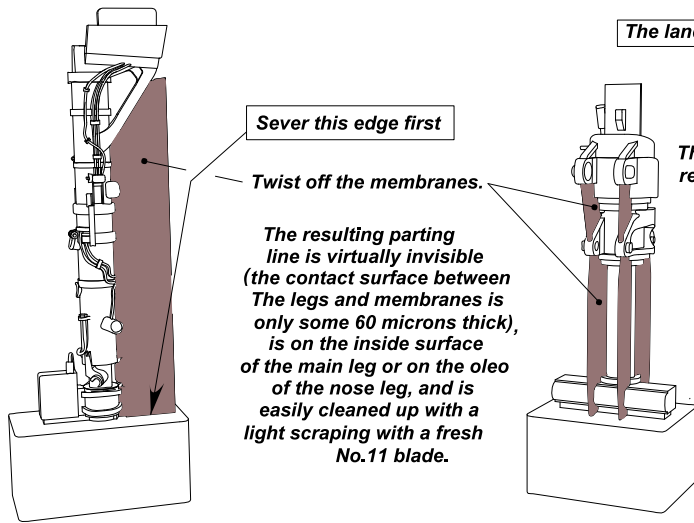


MAIN GEAR
(Left side shown)



NOTES: (Full build articles are also being added to our website, www.kazanmodeldynamics.com)

The landing gear assemblies attach to the Tamiya kit as the originals they replace.



Here's the rationale behind the design of the legs:

Their physical attributes make production a difficult and costly endeavour requiring a solution that minimizes these difficulties, their associated costs, and still yields a product that offers significant advantages to anything else on the market in any medium.

The membranes were developed as basically a 'mould life extender', and help achieve a lower cost of production and in turn, as reasonable a retail pricepoint as possible.

During development, emphasis was placed on making the resulting parting line as problem-free as possible for the end user - you.

The complexity of the gear itself made a lower parts count difficult, and we dealt with this matter by increasing tolerances to the point where most of these components are a 'friction fit'.

Use a new knife blade for cutting and trimming. Our resin is a non-brittle product that is forgiving. Still, care must be exercised to avoid inadvertently slicing through an item such as the brake line or oleo scissor.

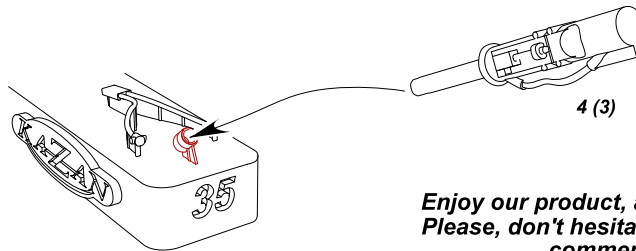
It doesn't directly lower the count, but it certainly eases construction, promotes easier and cleaner gluing, and preserves fidelity of detail. These resulting gears offer amazing detail, an original and incredibly convincing approach to oleos, and the next level of engineering in resin sets.

There may be some light residual resin on the metal oleo. This is easily removed by gently slicing along the metal, shaving away the residue. The metal is stainless steel and not prone to scuffing, so cleanup is a straightforward affair.

The gear is very strong, and was thoroughly tested under loaded conditions to ensure its ability to support the model permanently and without creep.

Part 3 and 4 note:

The small bulb at the end of the retraction strut that is Part 3 (4) is a moody little bugger...sometimes it casts, sometimes not so much. Examine your Parts 3 and 4 to see if they have the bulb cast integrally with them. If not, the solution is to apply a drop of CA glue to the metal tip of 3 (4) and insert it into Part 35, located at the end of the same casting block. Let the glue set a couple of minutes, then gently twist the assembly off the casting block, and continue on with the assembly.



Enjoy our product, and what it can do for your build!
Please, don't hesitate to contact us with any issues, concerns, comments or suggestions.

PARTS INDEX

42 Parts on 20 Casting Blocks

