

**Notes:**

Use a new knife blade for cutting and trimming.  
 Our resin is a non-brittle product that is forgiving. Still, care must be exercised to avoid inadvertently slicing through an item such as the brake line or oleo scissor.

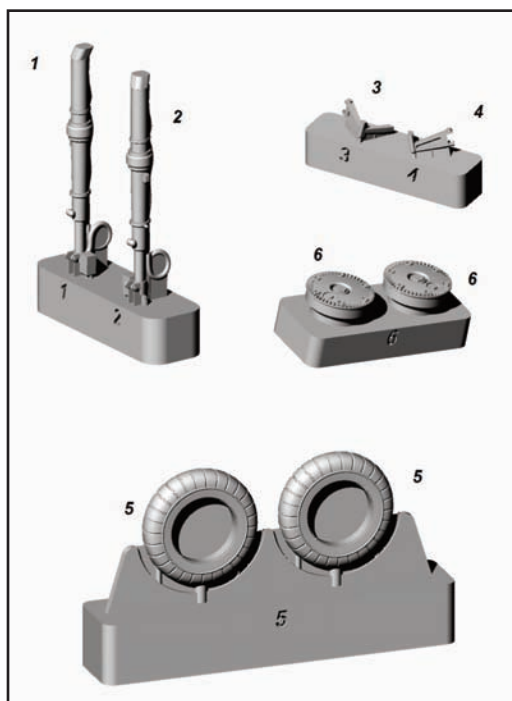
There may be some light residual resin on the metal oleo. This is easily removed by gently slicing along the metal, shaving away the residue. The metal is stainless steel and not prone to scuffing, so cleanup is a straightforward affair.

The gear is very strong, and was thoroughly tested under loaded conditions to ensure its ability to support the model permanently and without creep.

Enjoy our product, and what it can do for your build!

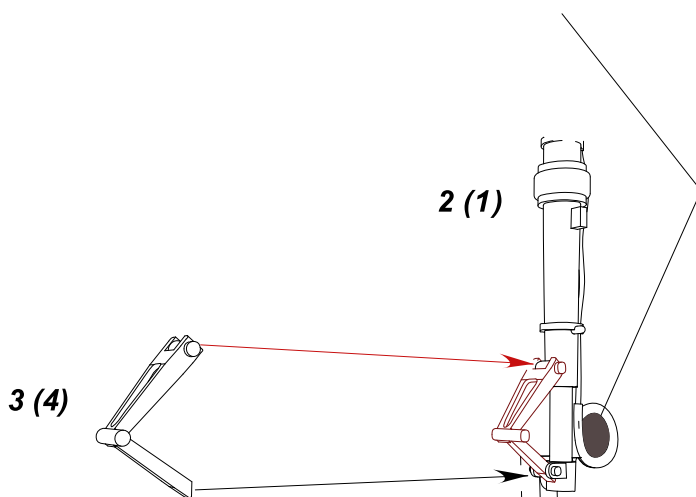
Please, don't hesitate to contact us with any issues, concerns, comments or suggestions.

**PARTS INDEX** 8 Parts on Four Casting Blocks



- ← Glue in place (note locator helpers)
- ← Gently snap into place (Glue as required)

Gently remove film from within loop.



Use Eduard's gear covers.

