

**Parts Index: This set contains seven 3D Printed Parts**

1. Right Main Wheel Well



2. Left Main Wheel Well



3. Nose Well Ceiling



4. Nose Well Left Side Wall



6. Nose Well Rear Wall



5. Nose Well Right Side Wall



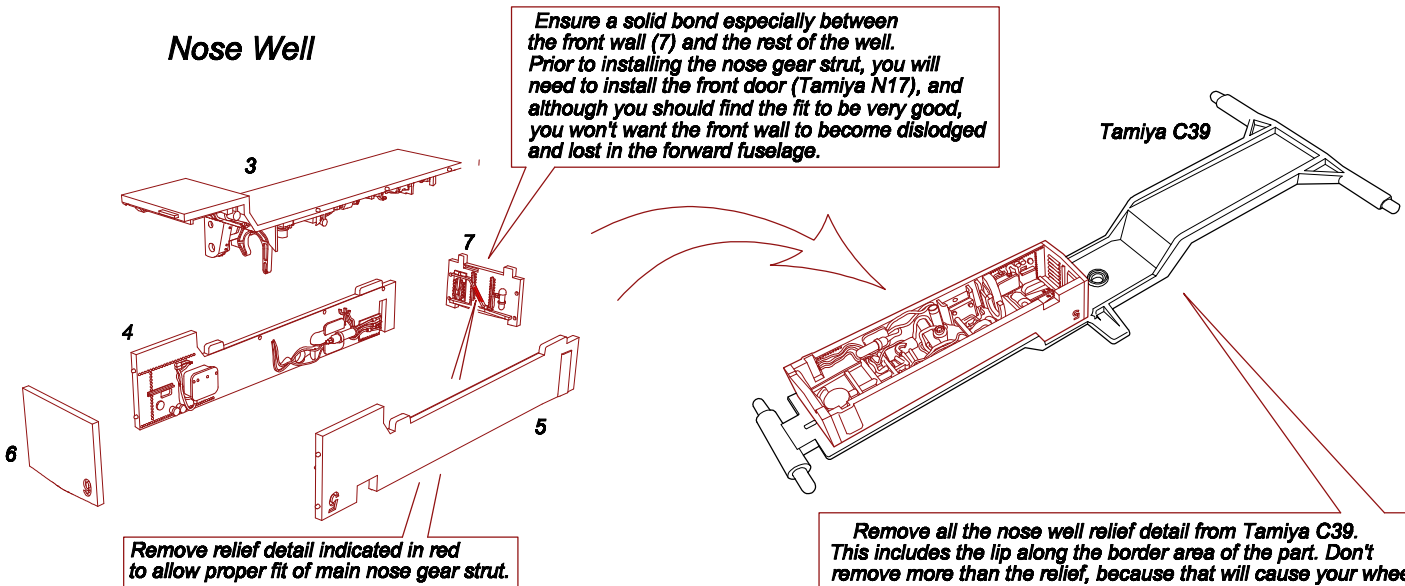
7. Nose Well Front Wall

**NOTES:**

The components that make up this wheel well set directly replace the original Tamiya kit parts. These are C1, C9, C10, C37 and C41 for the nose well, and main wheel well parts P3 (P4), P5 (P6), P11 (P12) and P13 (P14).

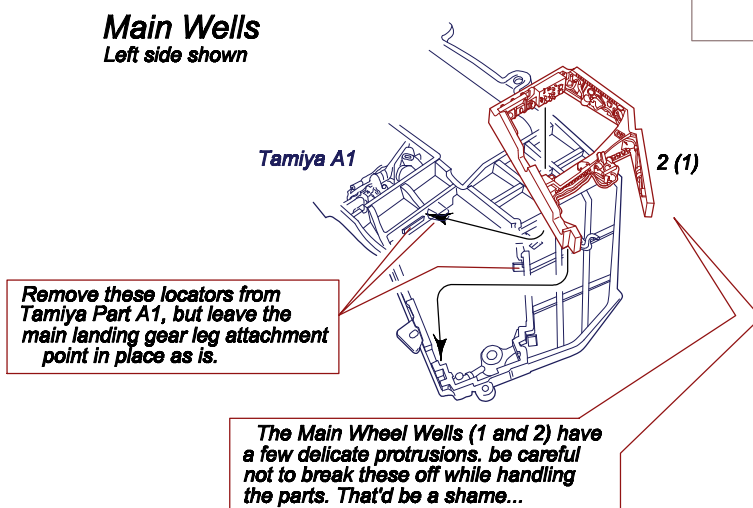
Remove the 3D prints from their framework using a new knife blade. The removal of these will be problem free if you use some care with the thinner (and consequently weaker) parts in particular. The material used in printing is not particularly brittle, though. Nevertheless, you should always approach handling 3D printed parts with some planning.

**Nose Well**

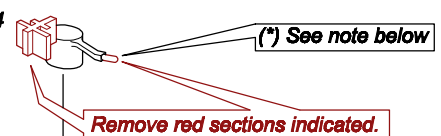


Remove all the nose well relief detail from Tamiya C39. This includes the lip along the border area of the part. Don't remove more than the relief, because that will cause your wheel well to sit too far from the lower fuselage (Tamiya R3), resulting in a gap between the well and the fuselage. There can be a slight hint of the relief detail left over on C39.

**Main Wells**  
Left side shown



Tamiya A24



(\* Note: Remove the bulk of these tabs first, and fine sand them only as you dry fit the nose gear strut into place. Sand them down gradually just enough to yield a close fitting strut inside the well.

Tamiya A18

Tamiya Part A24 is assembled to the strut, A18, and not inside the nosewell as indicated in Step 11 of the Tamiya instructions.